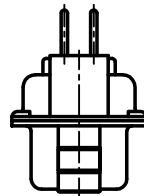
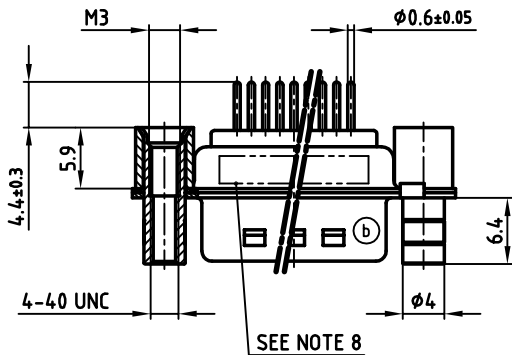
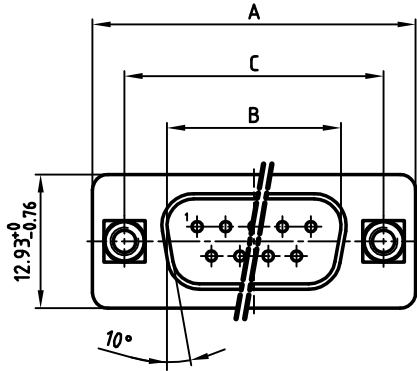
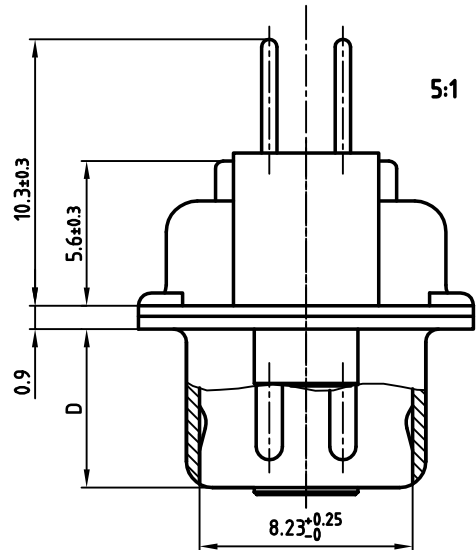


used for: D-SUB

No. of pos.	A <sup>-0.76</sup>	B <sup>+0.25</sup>	C	D <sup>-0.3</sup>	PART NO.
9	31.19	16.79	25.00 <sup>+0.12</sup> <sub>-0.13</sub>	6.12	163A14439X
<del>15</del>	<del>39.52</del>	<del>25.42</del>	<del>33.30 <sup>+0.15</sup></del>	<del>6.12</del>	<del>163A14440X</del>
<del>25</del>	<del>53.42</del>	<del>38.84</del>	<del>47.04 <sup>+0.18</sup></del>	<del>5.99</del>	<del>163A14459X</del>
37	69.70	55.30	63.50 <sup>+0.13</sup>	5.99	163A14469X

16K1A3718

16K1A3717



**NOTES:**

- METALSHELLS: STEEL; min. 315µin TIN over 40-80µin NICKEL
- INSULATORS: PBT GF UL 94 V-0, BLACK
- CONTACTS: COPPER ALLOY  
PLATING: 8µin HARD GOLD over min. 50µin NICKEL
- THREADED REAR SPACER/FRONT THREADED LOCK:  
COPPER ALLOY; min. 200µin TIN over 80µin NICKEL
- SLEEVE: COPPER ALLOY; min. 200µin TIN over 80µin NICKEL
- P.C.B. HOLE DRILLINGS ON SHEET 2
- MAXIMUM TORQUE VALUE FOR THREAD: 6in. LB
- CONNECTOR IS PART MARKED: PART-NO. CONEC ABC

Directive 2002/95/EC  
RoHS  
Compliant

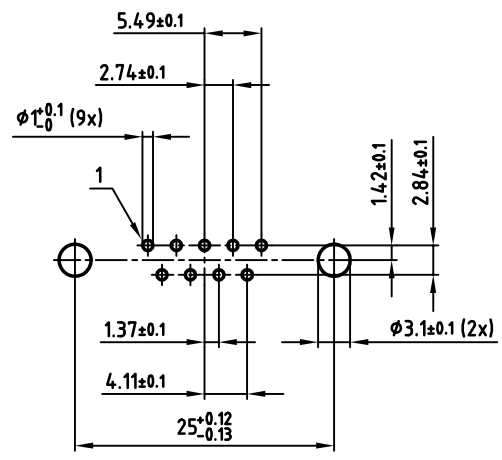
APPROVAL # FREIGABE # DEBLOCAGE # AUTORIZACION # APPROVAL	
CUSTOMER APPROVAL DATE:	
NAME:	TITLE:
COMPANY NAME:	
APPROVAL # FREIGABE # DEBLOCAGE # AUTORIZACION # APPROVAL	

THIS DRAWING MAY NOT BE COPIED OR REPRODUCED IN ANY WAY, AND MAY NOT BE PASSED ON TO A THIRD PARTY WITHOUT WRITTEN PERMISSION.  
OWNERSHIP AND COPYRIGHT OF CONEC GmbH  
DO NOT ALTER CAD DRAWING BY HAND

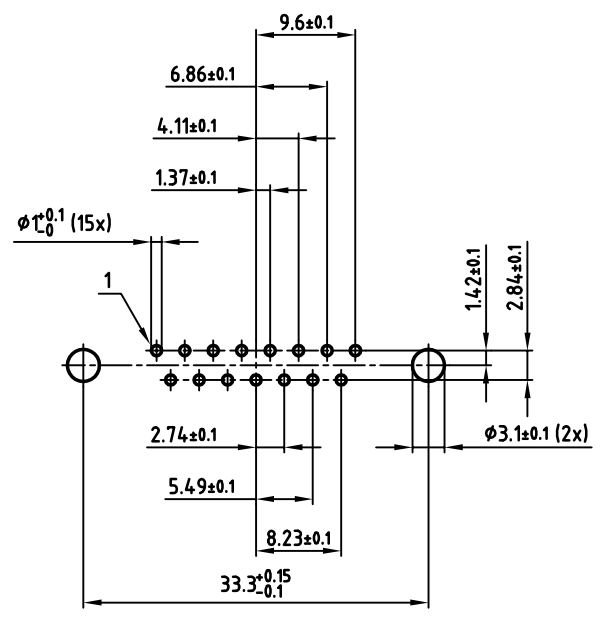
tolerance		dim. in mm	
2006	date	name	
drawn	07.02.	Lehmenkühler	
appd.	07.02.	Mickenbecker	
norm	DIN 41652		
d-old			
1 x b	Ä3721	18.08.2010	K.H.
a	Origin		
rev.	description	date	name

scale:	2:1 (5:1)
material:	SEE NOTES
title:	
<b>D-SUB MALE</b>	
9-37pos. SOLDER PIN STRAIGHT with threaded rear spacer, front threaded lock	
dwg no:	AutoCAD 2004 DIN-A
<b>16K1A1729</b>	
part no:	SEE TABLE
	3 sh:1/2

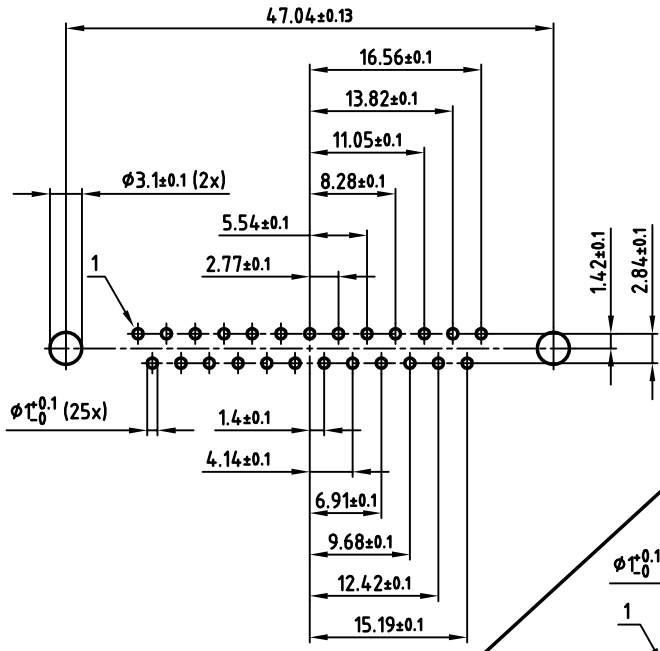
9 pos.



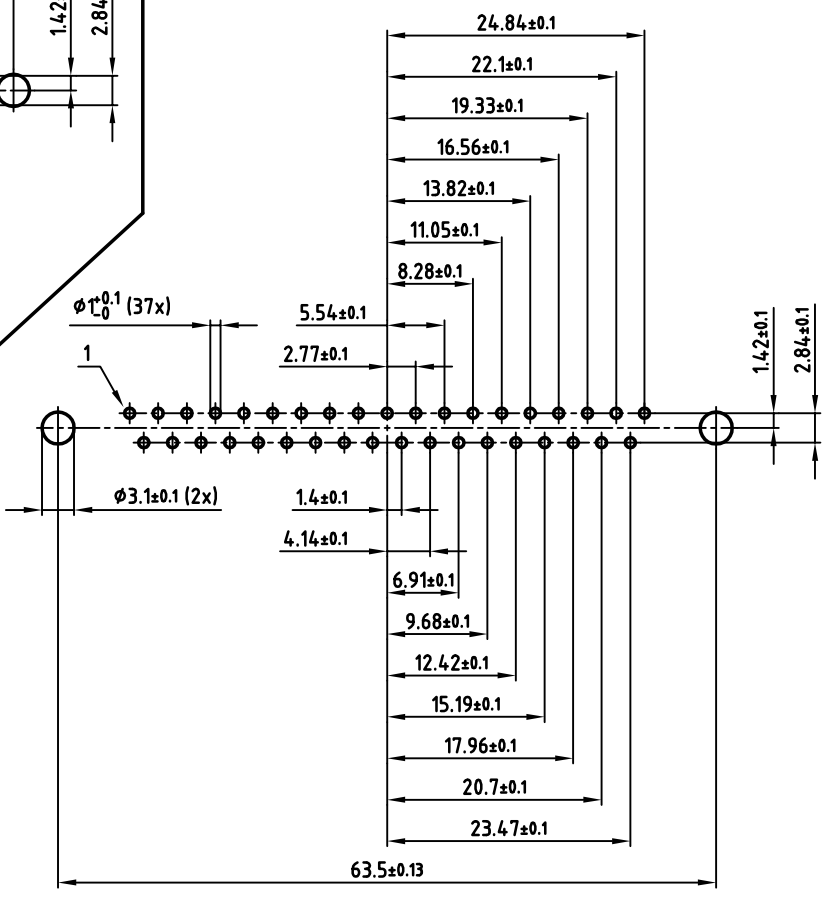
15 pos.



25 pos.



37 pos.



APPROVAL # FREIGABE # DEBLOCAGE # AUTORIZACION # APPROVAL

CUSTOMER APPROVAL DATE:

NAME: TITLE:

COMPANY NAME:

APPROVAL # FREIGABE # DEBLOCAGE # AUTORIZACION # APPROVAL

THIS DRAWING MAY NOT BE COPIED OR REPRODUCED IN ANY WAY, AND MAY NOT BE PASSED ON TO A THIRD PARTY WITHOUT WRITTEN PERMISSION. OWNERSHIP AND COPYRIGHT OF CONEC GMBH DO NOT ALTER CAD DRAWING BY HAND

tolerance			scale: 2:1	
dim. in mm			material: SEE SHEET 1	
2006	date	name		title: <b>P.C.B. HOLE DRILLINGS</b> D-SUB MALE 9-37pos. SOLDER PIN with threaded rear spacer, front threaded lock
drawn	07.02.	Lehmenkühler		
appd.	07.02.	Mickenbecker		
norm	DIN 41652			
d-old				dwg no: AutoCAD 2004
a	Origin			DIN-A
rev.	description	date	name	3
				sh:2/2

part no: SEE SHEET 1

6

5

4

2

1